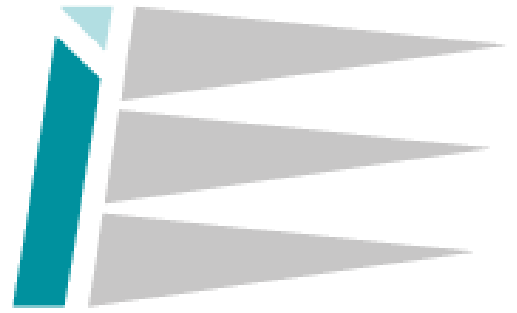


# Mobile Mancooler Fan.

Product datasheet



 **FANQUIP**

# Mobile Mancooler Fan.

The Fanquip Mobile Mancooler Fan is an extra heavy duty axial fan designed for a range of demanding air movement applications where a portable fan is required. Well suited for cooling, confined space ventilation and to extract contaminated air such as dust, steam, heat or explosive gases. Also available in wall mounted or ceiling mounted models for permanent installations.

The Fanquip Mobile Mancooler Fan is available using adjustable pitch GRP (Glassfiber Reinforced Polypropylene) or cast aluminium airfoil impellers. The casing is fully welded steel construction with an inlet and outlet flare, finished with an industrial polyester powder coat. The frame is tubular or RHS steel and fitted with pivot bolts and locking nuts on each side to allow the drum to be rotated 360° for flexible air discharge direction. Solid rubber wheels are included on fan sizes up to 600mm, while swivel castors are mounted to sizes 800mm and 1000mm. The units are fitted with single-phase 240V or three-phase 415V heavy-duty motors of rugged construction, which incorporate sealed ball bearings to reduce operating noise.

There is a comprehensive range available with fan diameters ranging from 400mm to 1000mm.

## Key features.



- ✓ Premium powder-coated steel casing
- ✓ Inlet and outlet finger guards
- ✓ IP55 Motor
- ✓ GRP adjustable pitch blades
- ✓ Isolating switch
- ✓ 5m lead & 3 pin plug (415V models exclude plug)
- ✓ Adjustable discharge direction
- ✓ Top mount lifting hook
- ✓ Heavy-duty wheels for ease of handling

## Applications.

The Mobile Mancooler Fan has an extensive range of applications.

### Installation locations.

- ✓ Agriculture
- ✓ Building and Construction
- ✓ Food Processing
- ✓ Laundry Services
- ✓ Manufacturing
- ✓ Mining & Metals
- ✓ Oil and Gas
- ✓ Warehouse

### Cooling applications.

- ✓ Personnel or machine cooling
- ✓ Confined space ventilation
- ✓ Extraction of fumes, dust, steam or smoke



### Options.

- Aluminium or stainless steel casings
- Hot dip galvanised finish
- Aluminium adjustable pitch blades
- Hazardous location rated – Exe, Exd, ExnA, Extd
- IP56 or IP66 motor
- Compressed air powered
- Corporate colours and labeled
- Wall/ceiling mounting bracket

### Technical advice.

Fanquip have technical consultants to provide guidance on the specifications required to suit your Mobile Mancooler Fan use and application.

### Warranty.

Twelve-month guarantee on the mechanical and electrical componentry subject to satisfactory maintenance with assessment and rectification, if any, to take place after return by the customer to Fanquip's workshop. Extended warranty options available on request.

### Installation & maintenance.

The necessary procedures are outlined in the Fanquip installation, operation and maintenance instructions. These should be followed to ensure satisfactory performance and service life.

# Mobile Mancooler Fan.

## Product specifications.

Model no.	Fan diameter (mm)	Motor speed (RPM)	Motor power (kW)	Voltage (V)	Full load amps (A)	Free air volume (L/S)	Noise* (dBA@3m)	Weight (kg)
1-40241	400	1440	0.55	240	3.60	1500	52	36
1-40243	400	1440	0.55	415	1.60	1500	52	36
1-40481	400	2880	1.10	240	6.20	2150	74	36
1-40483	400	2880	1.10	415	2.40	2150	74	36
1-50241	500	1440	0.75	240	4.50	2450	63	62
1-50243	500	1440	0.75	415	1.90	2450	63	62
1-60241	600	1440	1.50	240	8.70	4400	68	75
1-60243	600	1440	1.50	415	3.40	4400	68	75
1-61241	600	1440	2.20	240	12.10	5800	72	75
1-61243	600	1440	3.00	415	6.30	6600	72	75
1-80161	800	960	1.50	240	3.30	7000	66	110
1-80163	800	960	1.50	415	3.70	7000	66	110
1-80241	800	1440	2.20	240	12.10	8000	74	110
1-80243	800	1440	3.00	415	6.30	9000	74	110
1-10123	1000	720	3.00	415	7.80	12000	63	168
1-10163	1000	960	5.50	415	12.40	17000	78	168

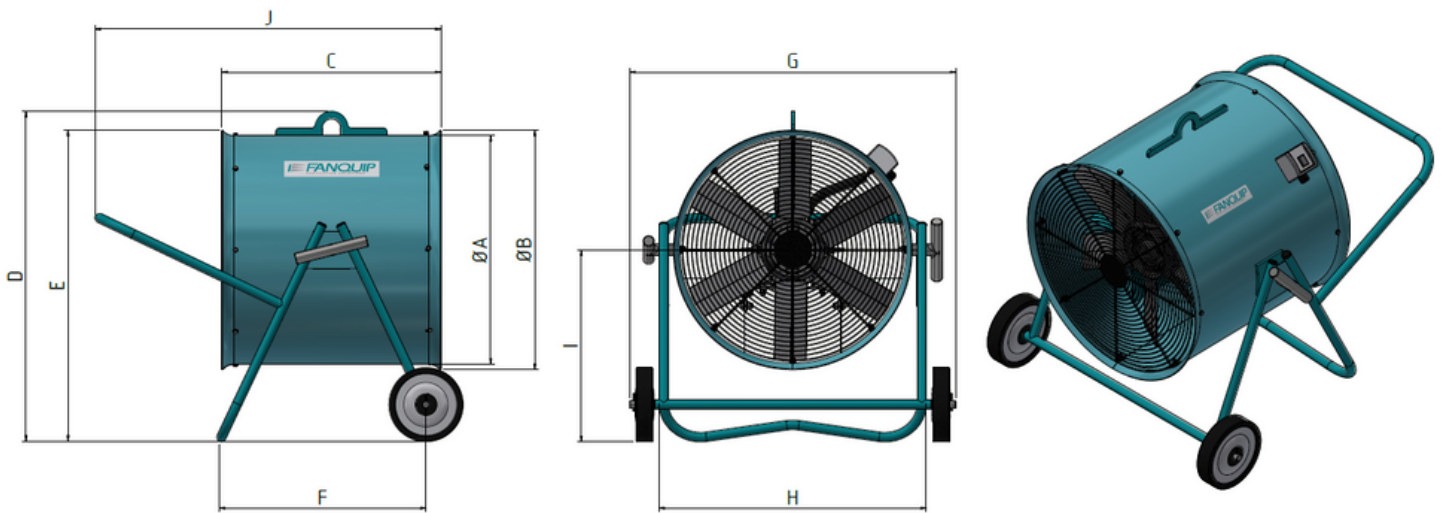
\*Add W to the model number for Wall Mount.

\*Add CM to the model number for Ceiling Mount.

\*Noise level is free to field and indicative and should only be used to indicate relative values as actual figures depend on the fan and relevant field conditions.

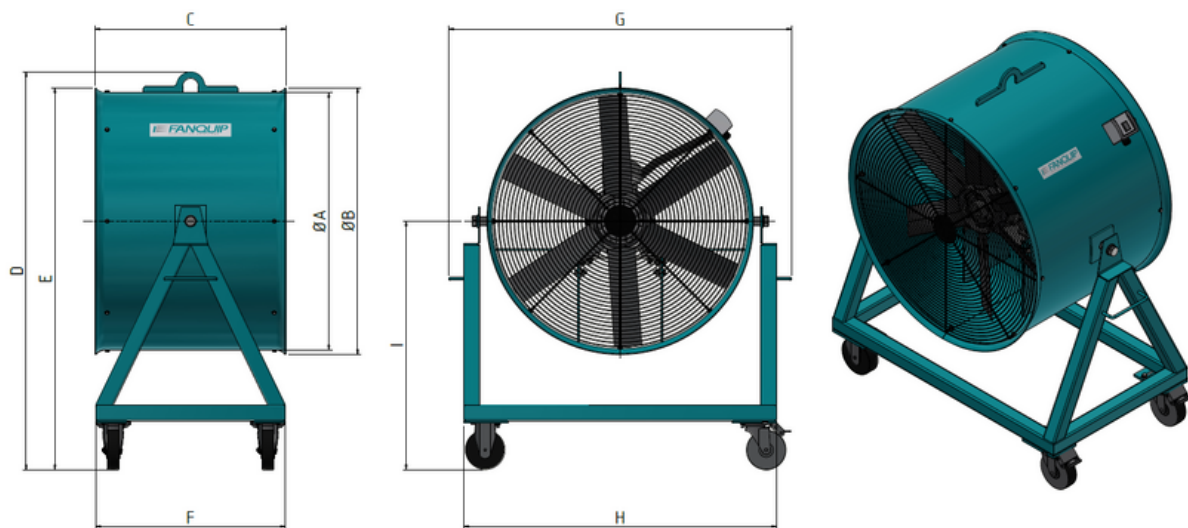
# Mobile Mancooler Fan.

FANQUIP



## Product dimensions.

Diameter (mm)	A (mm)	B (mm)	C (mm)	D (mm)	E (mm)	F (mm)	G (mm)	H (mm)	I (mm)	J (mm)
500	510	545	492	843	788	532	875	722	520	886
600	610	645	586	893	842	532	875	722	520	932



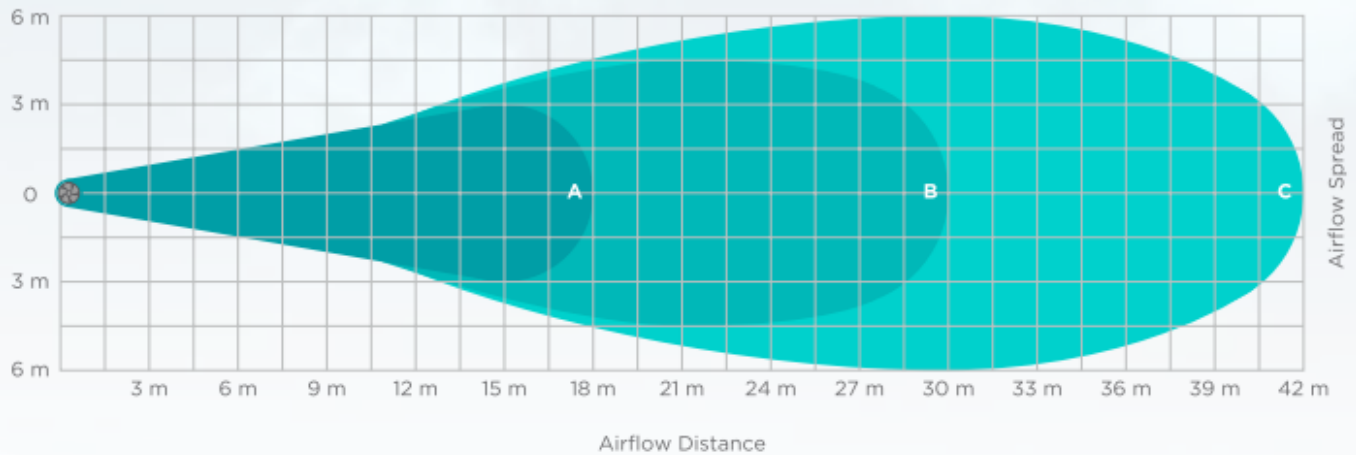
## Product dimensions.

Diameter (mm)	A (mm)	B (mm)	C (mm)	D (mm)	E (mm)	F (mm)	G (mm)	H (mm)	I (mm)
800	810	845	590	1268	1205	600	1087	990	775
1000	1010	1050	725	1403	1352	750	1297	1200	830

\*All sizes shown are standard. Subject to change without notice.

# Mobile Mancooler Fan.

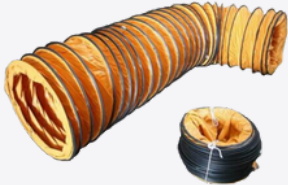



## Mancoolers - Airflow table.



Darker shaded areas indicate higher air velocities

MODEL No.	Air Velocity (m/s)		
	A	B	C
<b>1-30241/3</b>	2	1	1
<b>1-30481/3</b>	5	3	2
<b>1-41241/3</b>	3	2	1
<b>1-41481/3</b>	5	3	2
<b>1-40241/3</b>	3	2	1
<b>1-40481/3</b>	5	3	2
<b>1-50241/3</b>	3	2	2
<b>1-60241/3</b>	4	2	2
<b>1-61241/3</b>	5	3	2
<b>1-80161/3</b>	3	2	2
<b>1-80241/3</b>	4	3	2
<b>1-10123</b>	3	2	2
<b>1-10163</b>	5	3	2

# Mobile Mancooler Fan.

Accessory	Specifications
<p data-bbox="67 405 244 434">Flexible ducting</p> 	<ul data-bbox="810 465 1516 591" style="list-style-type: none"><li>✓ Heavy duty ducting suitable for both supply and extract. Used in factories construction sites or underground. 5m or 10m lengths. 300mm to 1000mm diameter. FRAS (Fire Retardant Anti-Static) option</li></ul>
<p data-bbox="67 663 233 692">Layflat ducting</p> 	<ul data-bbox="810 734 1516 824" style="list-style-type: none"><li>✓ Economical clear plastic ducting for positive pressure air movement. Supplied in 20kg rolls (can be cut to size). 300mm to 800mm diameter.</li></ul>
<p data-bbox="67 909 316 938">Variable Speed Drives</p> 	<ul data-bbox="810 1014 1516 1081" style="list-style-type: none"><li>✓ 3 phase or single phase input. IP20 or IP66 and EMC compliant. User friendly interface.</li></ul>
<p data-bbox="67 1189 344 1218">Hydroblasting Misting Kit</p> 	<ul data-bbox="810 1283 1516 1373" style="list-style-type: none"><li>✓ Provides fine water mist for easy evaporation and fast cooling.</li><li>✓ Used for dust suppression, personnel, machinery and livestock cooling.</li></ul>


Product datasheet.

# Mobile Mancooler Fan.



Shop Mobile  
Mancooler Fans



 1300 224 308

 [www.fanquip.com.au](http://www.fanquip.com.au)