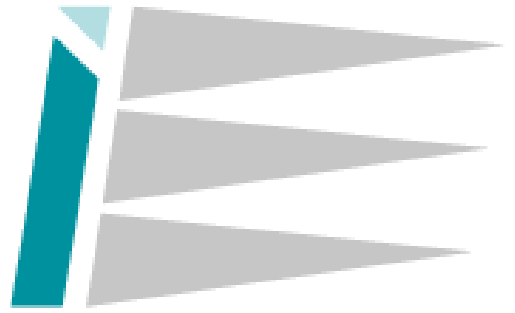


Utility Air Circulator.

Product datasheet



 **FANQUIP**

Utility Air Circulator.

FANQUIP

Fanquip's Utility Air Circulator has been designed to offer maximum air movement in poultry sheds, dairy houses, and greenhouses, providing more comfortable conditions and a cooler, fresher environment with minimum power consumption.

The unit is cost-effective and easy to install, with chain or cable suspension handles provided on the galvanized casing. Inlet and outlet flares are incorporated into the casings to improve airflow.

Key features.



- ✓ Galvanised steel casing
- ✓ GRP adjustable pitch blades
- ✓ Inlet and outlet finger guards
- ✓ IP55 Motor
- ✓ Lead and 3 pin plug (plug supplied on 240V model only)
- ✓ Lightweight for fast and easy installation
- ✓ Side mount hanging handles

Applications.

The Utility Air Circulator has an extensive range of applications.

Installation locations.

- ✓ Poultry sheds
- ✓ Dairy houses
- ✓ Pig sheds
- ✓ Greenhouses

Cooling applications.

- ✓ Targeted air cooling
- ✓ Building air movement
- ✓ Fresher environment



Options.

- 2 speed motor

Technical advice.

Fanquip have technical consultants to provide guidance on the specifications required to suit your Utility Air Circulator use and application.

Warranty.

Twelve-month guarantee on the mechanical and electrical componentry subject to satisfactory maintenance with assessment and rectification, if any, to take place after return by the customer to Fanquip's workshop. Extended warranty options available on request.

Installation & maintenance.

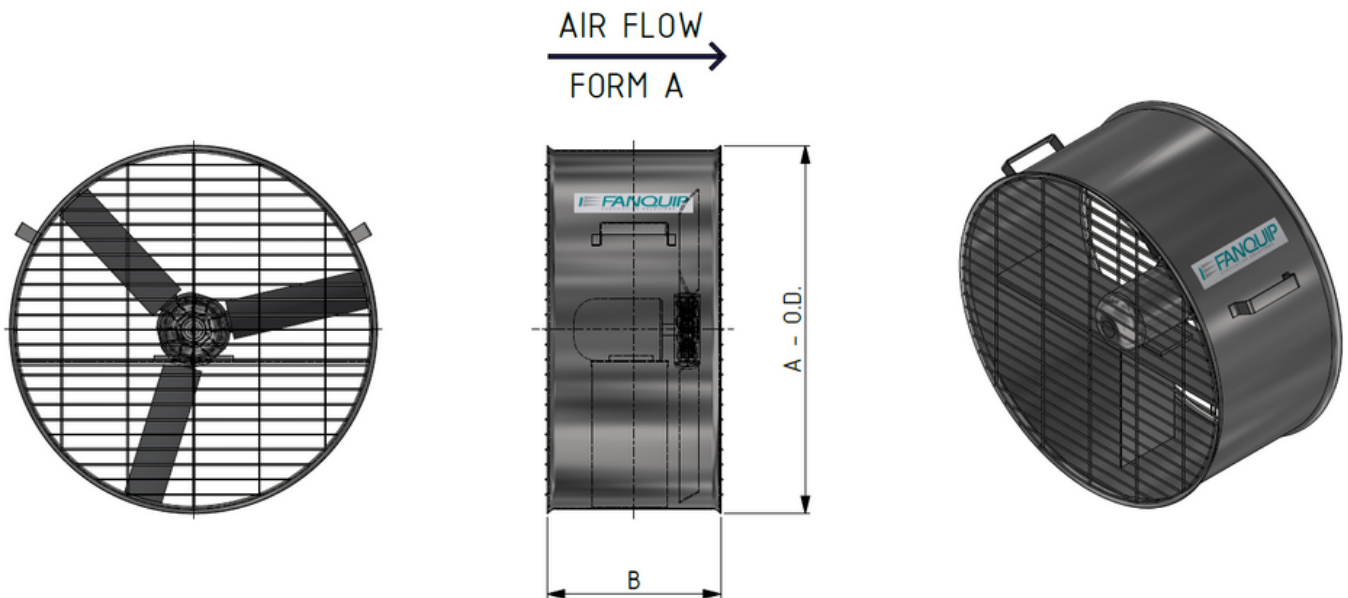
The necessary procedures are outlined in the Fanquip installation, operation and maintenance instructions. These should be followed to ensure satisfactory performance and service life.

Utility Air Circulator.

Product specifications.

Model no.	Fan diameter (mm)	Motor speed (RPM)	Motor power (kW)	Voltage (V)	Full load amps (A)	Free air volume (L/S)	Noise* (dBA@3m)	Weight (kg)
17-80161	800	960	0.15	240	1.05	3775	61	23
17-81161	800	960	0.35	240	2.60	5115	63	23
17-81163	800	960	0.37	415	1.36	5115	63	23

*Noise level is free field and indicative and should only be used to indicate relative values as actual figures depend on the fan and relevant field conditions.



Product dimensions.

Part Number	Diameter (mm)	A (mm)	B (mm)
17-80161	800	830	395
17-81161	800	830	395
17-81163	800	830	395

Product datasheet.

Utility Air Circulator.



Shop Utility Air
Circulators



1300 224 308



www.fanquip.com.au