

Vat Purging Fan.

Product datasheet



 **FANQUIP**

Vat Purging Fan.

The Fanquip Vat Purging Fans are a lightweight portable fan used for the supply or extraction of air in confined spaces. It is fitted with a triangular tubular carry handle which is to be used for both ease of handling as well as act as a support frame when positioning onto manholes or inspection hatches. Designed specifically for the winery industry to purge contaminated air from storage vats.

The Fanquip Vat Purging Fan is available using adjustable pitch GRP (Glassfiber Reinforced Polypropylene) or cast aluminium airfoil impellers. The casing is fully welded aluminium steel construction with carry frame. The units are fitted with single-phase 240V heavy-duty motors of rugged construction, which incorporate sealed ball bearings to reduce operating noise.

A comprehensive range is available with fan diameters ranging from 300mm to 600mm.

Key features.



- ✓ Lightweight aluminium casing
- ✓ Inlet and outlet guards
- ✓ IP56 motor
- ✓ GRP adjustable pitch blades
- ✓ Can be used for both exhaust or supply air
- ✓ 5m lead & 3 on 10A plug

Applications.

The Vat Purging Fan has an extensive range of applications.

Installation locations.

- ✓ Winery industry

Extraction applications.

- ✓ Fumes
- ✓ Contaminated air
- ✓ Heat
- ✓ Steam

Options.

- No Options

Technical advice.

Fanquip have technical consultants to provide guidance on the specifications required to suit your Vat Purging Fan use and application.

Warranty.

Twelve-month guarantee on the mechanical and electrical componentry subject to satisfactory maintenance with assessment and rectification, if any, to take place after return by the customer to Fanquip's workshop. Extended warranty options available on request.

Installation & maintenance.

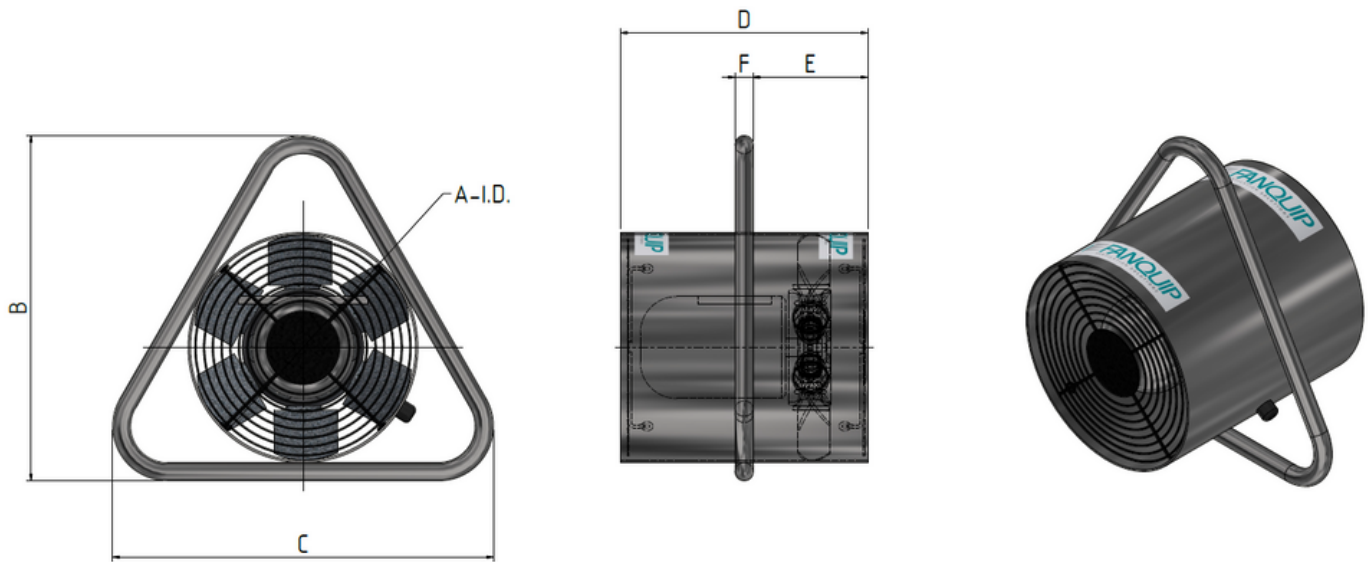
The necessary procedures are outlined in the Fanquip installation, operation and maintenance instructions. These should be followed to ensure satisfactory performance and service life.

Vat Purging Fan.

Product specifications.

Model No.	Fan Diameter (mm)	Motor Speed (RPM)	Motor Power (kW)	Voltage (V)	Full Load Amps (A)	Free Air Volume (L/S)	Noise* (dBA@3m)	Weight (kg)
16-30241WV	300	1400	0.20	240	1.39	600	48	22
16-40241WV	400	1400	0.20	240	1.39	1450	50	25
16-60161WV	600	900	0.35	240	2.60	2500	57	30

*Noise level is free field and indicative and should only be used to indicate relative values as actual figures depend on the fan and relevant field conditions.



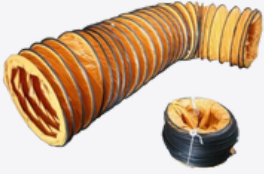

Product dimensions.

Diameter (mm)	A (mm)	B (mm)	C (mm)	D (mm)	E (mm)	F (mm)
300	310	460	508	400	188	26
400	410	630	690	400	188	26
600	610	910	1012	400	188	26

*All sizes shown are standard. Subject to change without notice.

Vat Purging Fan.

Accessories

Accessory	Specifications
<p data-bbox="113 465 288 495">Flexible Ducting</p> 	<ul data-bbox="810 528 1477 622" style="list-style-type: none">✓ 5m or 10m length✓ Available with plastic end couplings with toggle dampers to connect to fan
<p data-bbox="113 723 272 752">Layflat ducting</p> 	<ul data-bbox="810 786 1477 880" style="list-style-type: none">✓ Economical clear plastic ducting for positive pressure air movement. Supplied in 20kg rolls (can be cut to size). 300mm to 800mm diameter.

Product datasheet.

Vat Purging Fan.



Shop Vat Purging
Fans



1300 224 308



www.fanquip.com.au